

Overview

The 682 Series Mini-Horn is perfect for life safety applications as an alert and alarm signal. It is ideal for applications in apartments, hotels, and dormitories etc., where life safety signaling systems are required.

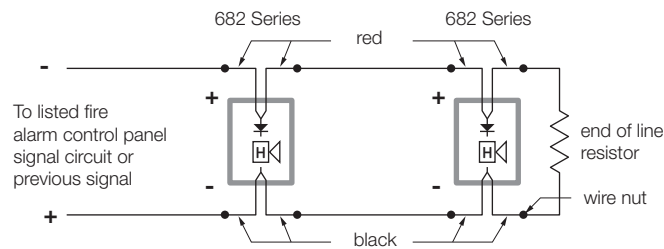
The horn's 91dBA output helps ensure alarm audibility. Its loud, piercing sound penetrates walls and is easily heard above moderate ambient noise levels. The low 24mA current draw means minimum demand is placed on signal circuit power supplies.

The Mini-Horn is designed for connection to 24Vdc polarized signal circuits with either steady or pulsed currents.

Ordering Information

Cat. No	Description	Ship Wt. lb. (kg)
Horns		
682-1C	Horn, White	.25 (.1)
682-1CR	Horn, Red	.25 (.1)
Mounting Accessories		
27193-16	Surface Box, White, Indoor	.6 (.3)
27193-11	Surface Box, Red, Indoor	.6 (.3)

Wiring



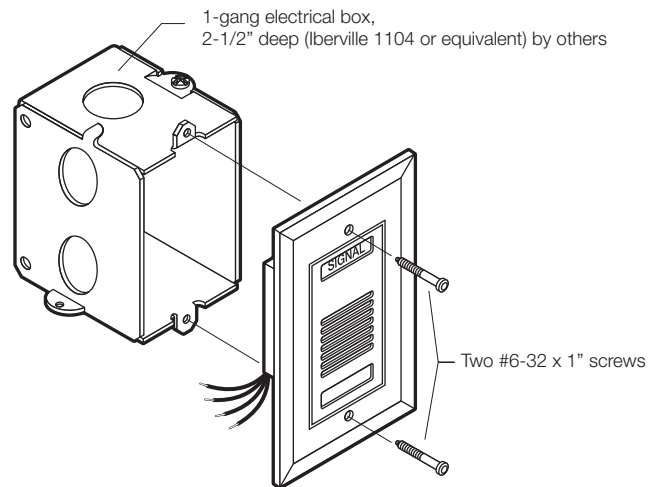
Polarity of signal circuit shown in supervisory state. On alarm the polarity reverses.

Standard Features

- 91 dBA output
- Mounts to 1-gang box
- Easy installation
- Attractive textured finish
- Low current drain
- Matching strobes and horn/strobes
- Highest quality

Installation and Mounting

The horn can be connected to pulsed or continuous voltage circuits. All models fit to a standard flush mounted, North-American 1-gang electrical box, 2-1/2" (63 mm) deep. For surface mount, use 27193 series custom indoor surface boxes painted in color-matched red or white epoxy. Chubb Edwards recommends that these fire alarm horns always be installed in accordance with the latest recognized edition of national and local fire alarm codes.



Mini-Horn Signals

682-1C & 682-1CR

